

BENEFITS:

- Lasts longer in various kinds of small portable electronic devices



APPLICATIONS BEST FOR:



- GP Alkaline Cell Battery
- 1.5 Volts

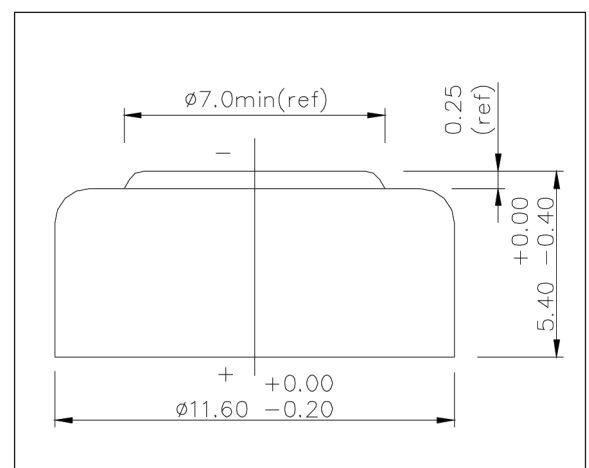
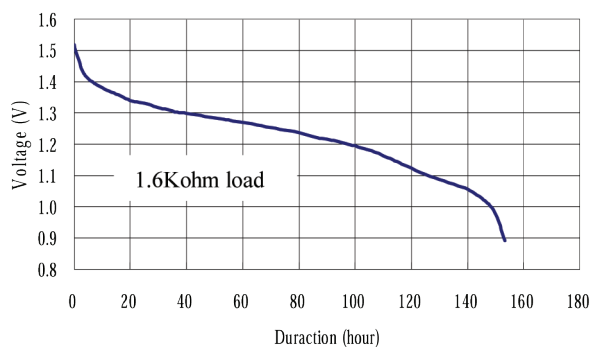
Other Details:

- Mercury Free Zinc / Manganese Dioxide chemistry
- Button cell type
- Average weight: 1.9g

CROSS REFERENCES:

GP	IEC/Sony/ Duracell	Varta
A76F	LR44	A76Z

Typical Discharge characteristics at 20 ± 2 °C



Unit : mm